

1051018-1 ✓ ACTIVE

[AMP](#) | [AMP SMA](#)

TE Internal #: 1051018-1

RF Connectors, SMA RF Interface, Jack, 50  $\Omega$ , RG 405 Semi-Rigid, Threaded, 18 GHz Operating Frequency, 1 Position, Wire & Cable, Panel Mount, AMP SMA

[View on TE.com >](#)



[Connectors](#) > [RF Coax Connectors](#) > [RF Connectors](#)



RF Interface: **SMA**

RF Connector Style: **Jack**

RF Connector Mated Outer Diameter (Approximate): **8.99 mm [ .354 in ]**

Impedance: **50  $\Omega$**

Compatible With RF Cable Type: **RG 405 Semi-Rigid**

## Features

### Product Type Features

|                                   |                    |
|-----------------------------------|--------------------|
| Connector Product Type            | Connector Assembly |
| RF Interface                      | SMA                |
| RF Connector Style                | Jack               |
| Compatible With RF Cable Type     | RG 405 Semi-Rigid  |
| Connector & Contact Terminates To | Wire & Cable       |

### Configuration Features

|                            |   |
|----------------------------|---|
| Number of Positions        | 1 |
| Number of Coaxial Contacts | 1 |

### Electrical Characteristics

|           |             |
|-----------|-------------|
| Impedance | 50 $\Omega$ |
|-----------|-------------|

### Body Features

|                             |                 |
|-----------------------------|-----------------|
| Cable Connector Orientation | Straight        |
| Body Material               | Stainless Steel |
| Body Material Finish        | Plated          |
| Body Plating Material       | Gold            |

### Contact Features

|   |                |
|---|----------------|
| RF Connector Center Contact Underplating Material | Copper, Nickel |
| RF Connector Contact Configuration                | Not Captivated |



|  |      |
|--|------|
| RF Connector Center Contact Plating Material | Gold |
|--|------|

|                                      |                  |
|--------------------------------------|------------------|
| RF Connector Center Contact Material | Beryllium Copper |
|--------------------------------------|------------------|

### Termination Features

|                                    |        |
|------------------------------------|--------|
| Termination Method to Wire & Cable | Solder |
|------------------------------------|--------|

### Mechanical Attachment

|                        |            |
|------------------------|------------|
| Panel Attachment Style | Rear Mount |
|------------------------|------------|

|                                 |          |
|---------------------------------|----------|
| RF Connector Coupling Mechanism | Threaded |
|---------------------------------|----------|

|                         |             |
|-------------------------|-------------|
| Connector Mounting Type | Panel Mount |
|-------------------------|-------------|

|                               |        |
|-------------------------------|--------|
| RF Contact Captivation Method | Solder |
|-------------------------------|--------|

### Dimensions

|                |                 |
|----------------|-----------------|
| Product Length | 19.3 mm[.76 in] |
|----------------|-----------------|

|   |                  |
|---|------------------|
| RF Connector Mated Outer Diameter (Approximate) | 8.99 mm[.354 in] |
|---|------------------|

### Usage Conditions

|                             |                            |
|-----------------------------|----------------------------|
| Operating Temperature Range | -65 – 125 °C[-85 – 257 °F] |
|-----------------------------|----------------------------|

### Operation/Application

|                     |        |
|---------------------|--------|
| Operating Frequency | 18 GHz |
|---------------------|--------|

### Packaging Features

|                  |     |
|------------------|-----|
| Packaging Method | Bag |
|------------------|-----|

### Other

|                 |                 |
|-----------------|-----------------|
| Gasket Material | Silicone Rubber |
|-----------------|-----------------|

|                     |                 |
|---------------------|-----------------|
| Lockwasher Material | Phosphor Bronze |
|---------------------|-----------------|

|       |          |
|-------|----------|
| Grade | Military |
|-------|----------|

|                     |      |
|---------------------|------|
| Dielectric Material | PTFE |
|---------------------|------|

### Product Compliance

[For compliance documentation, visit the product page on TE.com>](#)

|                              |                           |
|------------------------------|---------------------------|
| EU RoHS Directive 2011/65/EU | Compliant with Exemptions |
|------------------------------|---------------------------|

|                             |                           |
|-----------------------------|---------------------------|
| EU ELV Directive 2000/53/EC | Compliant with Exemptions |
|-----------------------------|---------------------------|

|   |                                      |
|---|--------------------------------------|
| China RoHS 2 Directive MIIT Order No 32, 2016 | Restricted Materials Above Threshold |
|---|--------------------------------------|

|  |   |
|--|---|
| EU REACH Regulation (EC) No. 1907/2006 | Current ECHA Candidate List: JUNE 2022 (224)<br>Candidate List Declared Against: JUL 2021 (219) |
|--|---|



SVHC > Threshold:

Pb (4% in Component Part)

**Article Safe Usage Statements:**

Do not eat, drink or smoke when using this product. Wash thoroughly after handling. Recycle if possible and dispose of the article by following all applicable governmental regulations relevant to your geographic location.

Halogen Content

Low Bromine/Chlorine - Br and Cl < 900 ppm per homogenous material. Also BFR /CFR/PVC Free

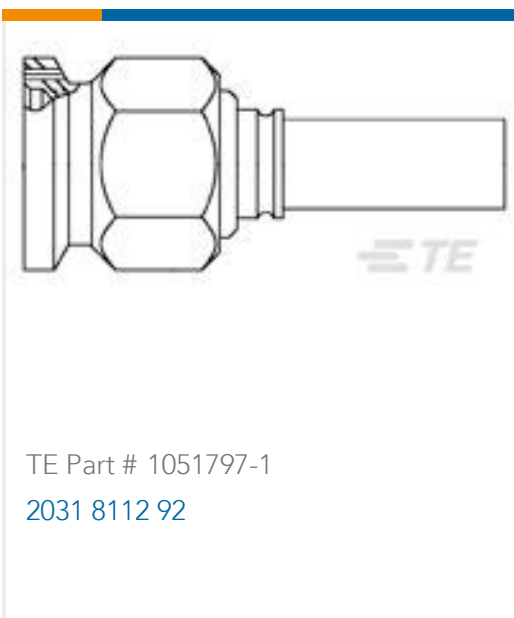
Solder Process Capability

Not applicable for solder process capability

**Product Compliance Disclaimer**

This information is provided based on reasonable inquiry of our suppliers and represents our current actual knowledge based on the information they provided. This information is subject to change. The part numbers that TE has identified as EU RoHS compliant have a maximum concentration of 0.1% by weight in homogenous materials for lead, hexavalent chromium, mercury, PBB, PBDE, DBP, BBP, DEHP, DIBP, and 0.01% for cadmium, or qualify for an exemption to these limits as defined in the Annexes of Directive 2011/65/EU (RoHS2). Finished electrical and electronic equipment products will be CE marked as required by Directive 2011/65/EU. Components may not be CE marked. Additionally, the part numbers that TE has identified as EU ELV compliant have a maximum concentration of 0.1% by weight in homogenous materials for lead, hexavalent chromium, and mercury, and 0.01% for cadmium, or qualify for an exemption to these limits as defined in the Annexes of Directive 2000/53/EC (ELV). Regarding the REACH Regulation, the information TE provides on SVHC in articles for this part number is based on the latest European Chemicals Agency (ECHA) 'Guidance on requirements for substances in articles' posted at this URL: <https://echa.europa.eu/guidance-documents/guidance-on-reach>

## Compatible Parts



## Also in the Series | AMP SMA



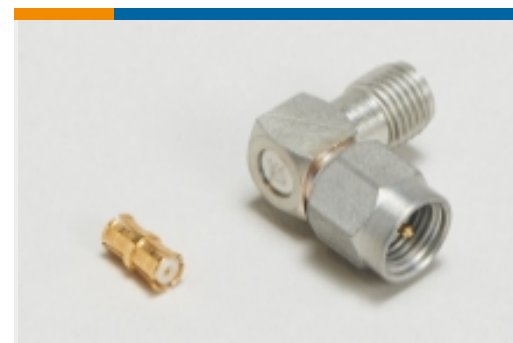
Battery Holders(1)



Between Series Adapters(1)



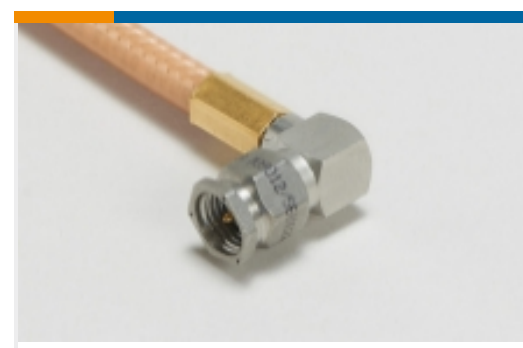
Coax Terminators(1)



In-Series Adapters(11)



Rack &amp; Panel Ferrules &amp; Inserts(1)



RF Cable Assemblies(2)



RF Connector Hardware(2)



RF Connector Launchers(8)



RF Connector Shrouds(3)



RF Connectors(297)

## Documents

### Product Drawings

2004 7985 00

English

### CAD Files

3D PDF

3D

Customer View Model

[ENG\\_CVM\\_CVM\\_1051018-1\\_E.2d\\_dxf.zip](#)

English

Customer View Model

[ENG\\_CVM\\_CVM\\_1051018-1\\_E.3d\\_igs.zip](#)

English

Customer View Model

[ENG\\_CVM\\_CVM\\_1051018-1\\_E.3d\\_stp.zip](#)

English

By downloading the CAD file I accept and agree to the [Terms and Conditions](#) of use.

### Datasheets & Catalog Pages

[Products for Aerospace and Defense](#)

English

### Instruction Sheets

[OSM Bulkhead Feedthrough Cable Jack Direct Solder Attachment 1313161-1, 1051018-1, 1051019-1, 1062259-1, 1051021-1, 1314255-1, and 1091848-1](#)

English

[Instruction Sheet \(U.S.\)](#)



English